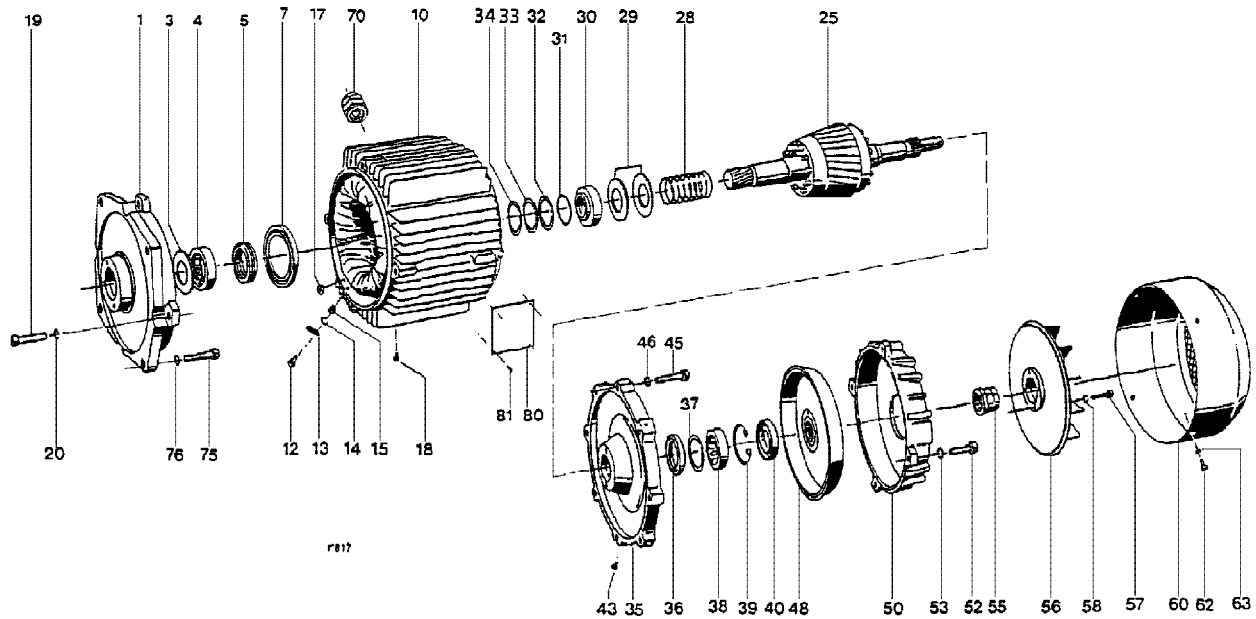
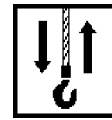




A3



| Pos | Teil-Nummer Part-Number | Stück Piece | Beschreibung Description | Benennung Designation |
|-----|----------------------------|----------------|-----------------------------|---|
| | 43 330 88 11 9 | 1 | 2/8A3 1) (Pos.1-10,18-70) | Motor |
| 1 | 43 331 00 03 0 | 1 | | Motorflansch Motor flange |
| 3 | 43 331 02 52 0 | 1 | | Scheibe Disc |
| 4 | 560 997 0 | 1 | RNU205 DIN 5412 | Zyl-Rollenlager Roller bearing |
| 5 | 560 065 0 | 1 | 51 107 DIN 711 | Axial-Rillenkugellager Deep grooved thrust bearing |
| 7 | 561 832 0 | 1 | 55x72x8 | Wellendichtring Shaft seal |
| 10 | 43 330 88 12 9 | 1 | 2/8A3 1)2) (Pos.12-17) | Stator |
| 12 | 502 069 0 | 1 | M5x12 DIN 84 | Zyl-Schraube Socket cap screw |
| 13 | 517 831 0 | 1 | 5-2,5 3) DIN 46234 | Kabelschuh Cable lug |
| | 517 832 0 | 1 | 5-5 3) DIN 46234 | |
| 14 | 506 970 0 | 1 | A5,1 | Zahnscheibe External teeth lock washer |
| 15 | 506 164 0 | 1 | M5 DIN 934 | Skt-Mutter Hexagonal nut |
| 17 | 520 906 0 | 1 | 3 S 8 | Schiebebild Sign |
| 18 | 21 253 00 98 0 | 1 | | Stopfen Plug |
| 19 | 500 235 0 | 4 | M8x35 DIN 912-8.8 | Zyl-Schraube Socket head cap screw |
| 20 | 506 459 0 | 4 | 8 DIN 7980 | Federring Spring washer |



| Pos | Teil-Nummer Part-Number | Stück Piece | Beschreibung Description | | Benennung | Designation |
|-----|----------------------------|----------------|-----------------------------|-------------|--------------------|--------------------------|
| 25 | 43 330 15 13 0 | 1 | 2/8A3 | 4) | Rotor | Rotor |
| 28 | 43 331 00 94 0 | 1 | | | Druckfeder | Pressure spring |
| 29 | 44 331 01 14 0 | 2 | | | Tellerfeder | Belleville spring washer |
| 30 | 43 331 03 51 0 | 1 | | | Abstandsring | Spacer ring |
| 31 | 515 954 0 | 1 | 32x4 | | Runddichtring | Round sealing ring |
| 32 | 506 825 0 | | 35x45x0,3 | x) DIN 988 | Paßscheibe | Adjusting washer |
| 33 | 44 331 00 52 0 | | 35x45x0,5 | x) | Scheibe | Disc |
| 34 | 44 331 01 52 0 | | 35x45x1 | x) | Scheibe | Disc |
| 35 | 43 331 00 02 0 | 1 | | 5) | Motordeckel | Motor cover |
| 36 | 561 992 0 | 1 | AS32x52x7 | | Wellendichtring | Shaft seal |
| 37 | 507 816 0 | 1 | 42x52x1 | DIN 988 | Paßscheibe | Adjusting washer |
| 38 | 560 997 0 | 1 | RNU205 | DIN 5412 | Zyl-Rollenlager | Roller bearing |
| 39 | 506 107 0 | 1 | 52x2 | DIN 472 | Sicherungsring | Locking ring |
| 40 | 561 992 0 | 1 | AS32x52x7 | | Wellendichtring | Shaft seal |
| 43 | 21 253 00 98 0 | 1 | | | Stopfen | Plug |
| 45 | 500 235 0 | 4 | M8x35 | DIN 912-8.8 | Zyl-Schraube | Socket head cap screw |
| 46 | 506 459 0 | 4 | 8 | DIN 7980 | Federring | Spring washer |
| 48 | 43 330 01 18 0 | 1 | | | Bremsscheibe | Brake disc |
| 50 | 43 331 0 36 0 | 1 | | | Bremshaube | brake cap |
| 52 | 500 235 0 | 4 | M8x35 | DIN 912-8.8 | Zyl-Schraube | Socket head cap screw |
| 53 | 506 459 0 | 4 | 8 | DIN 7980 | Federring | Spring washer |
| 55 | 43 331 00 91 0 | 1 | | | Mutter | Nut |
| 56 | 43 330 00 17 0 | 1 | | | Lüfterrad | Fan wheel |
| 57 | 500 232 0 | 4 | M6x25 | DIN 912-8.8 | Zyl-Schraube | Socket head cap screw |
| 58 | 507 027 0 | 4 | 6 | DIN 7980 | Federring | Spring washer |
| 60 | 43 331 00 40 0 | 1 | | | Lüfterhaube | Fan cowling |
| 62 | 500 419 0 | 4 | M5x8 | DIN 933-5.6 | Skt-Schraube | Hexagon head cap screw |
| 63 | 506 042 0 | 4 | A5 | DIN 127 | Federring | Spring washer |
| 70 | 519 115 0 | 1 | | Pg 29 | Kabelverschraubung | Conduit gland |
| 75 | 500 307 0 | 4 | AS20-M10x35 | DIN 912-8.8 | Zyl-Schraube | Socket head cap screw |
| | 500 148 0 | 4 | AS30-M10x25 | DIN 912-8.8 | | |
| 76 | 506 904 0 | 4 | 10 | DIN 7980 | Federring | Spring washer |
| 80 | 43 330 01 80 0 | 1 | | (Pos.81) | Typenschild | Typ plate |
| 81 | 507 831 0 | 4 | 3x5 | | Blindniet | Blind rivet |

x) Stückzahl nach Bedarf

1) Bitte Betriebsspannung und Frequenz angeben.

2) Pos.18 und 70 immer mitbestellen.

3) Verwendung nach Bedarf

4) Pos. 28,29 und 32 immer mitbestellen.

5) Pos. 43 immer mitbestellen.

x) Quantity as required

1) Please state operating voltage and Frequency.

2) Always order in addition items 18 and 70.

3) As required

4) Always order in addition items 28,29 and 32.

5) Always order in addition item 43.