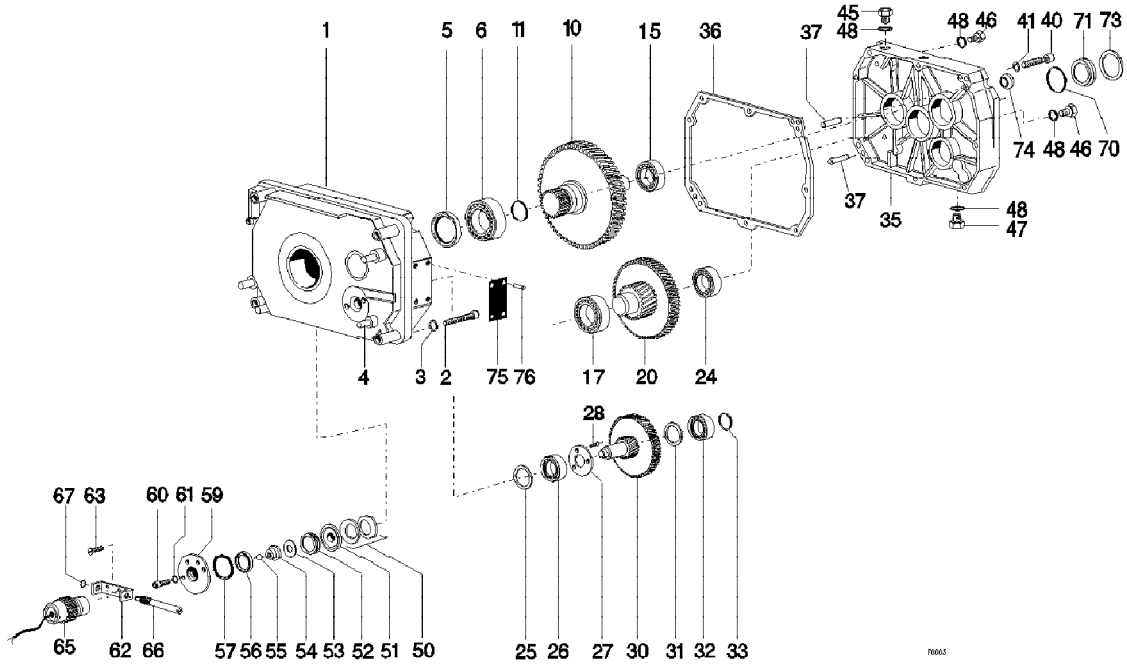
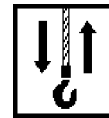


Originalteile  
Original parts  
AS20

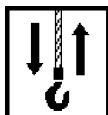
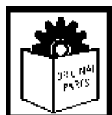


70003

Pos	Teil-Nummer Part-Number	Stück Piece	Beschreibung Description	Benennung Designation
			A2-50Hz	
	42 330 29 30 0	1	AS2010-10 1) (Pos.1-54,70+71)	Getriebe Gear
	42 330 30 30 0	1	AS2008-10 1) (Pos.1-54,70+71)	
	42 330 31 30 0	1	AS2006-10 1) (Pos.1-54,70+71)	
	42 330 32 30 0	1	AS2005-10 1) (Pos.1-54,70+71)	
	42 330 33 30 0	1	AS2004-10 1) (Pos.1-54,70+71)	
			A2-60Hz	
	42 330 29 30 0	1	AS2010-12 1) (Pos.1-54,70+71)	
	42 330 30 30 0	1	AS2008-12 1) (Pos.1-54,70+71)	
	42 330 31 30 0	1	AS2006-12 1) (Pos.1-54,70+71)	
	42 330 32 30 0	1	AS2005-12 1) (Pos.1-54,70+71)	
	42 330 33 30 0	1	AS2004-12 1) (Pos.1-54,70+71)	
			A2-50Hz	
	42 330 34 30 0	1	AS2010-12 1) (Pos.1-54,70+71)	
	42 330 35 30 0	1	AS2008-12 1) (Pos.1-54,70+71)	
	42 330 36 30 0	1	AS2006-12 1) (Pos.1-54,70+71)	
	42 330 37 30 0	1	AS2005-12 1) (Pos.1-54,70+71)	
	42 330 38 30 0	1	AS2004-12 1) (Pos.1-54,70+71)	
			A2-60Hz	
	42 330 34 30 0	1	AS2010-15 1) (Pos.1-54,70+71)	
	42 330 35 30 0	1	AS2008-15 1) (Pos.1-54,70+71)	
	42 330 36 30 0	1	AS2006-15 1) (Pos.1-54,70+71)	
	42 330 37 30 0	1	AS2005-15 1) (Pos.1-54,70+71)	
	42 330 38 30 0	1	AS2004-15 1) (Pos.1-54,70+71)	
			A2-50Hz	
	42 330 40 30 0	1	AS2008-16 1) (Pos.1-54,70+71)	
	42 330 41 30 0	1	AS2006-16 1) (Pos.1-54,70+71)	
	42 330 42 30 0	1	AS2005-16 1) (Pos.1-54,70+71)	
	42 330 43 30 0	1	AS2004-16 1) (Pos.1-54,70+71)	
			A2-60Hz	
	42 330 40 30 0	1	AS2008-19 1) (Pos.1-54,70+71)	
	42 330 41 30 0	1	AS2006-19 1) (Pos.1-54,70+71)	
	42 330 42 30 0	1	AS2005-19 1) (Pos.1-54,70+71)	
	42 330 43 30 0	1	AS2004-19 1) (Pos.1-54,70+71)	
			A3-50Hz	
	42 330 39 30 0	1	AS2010-16 1) (Pos.1-54,73+74)	
			A3-60Hz	
	42 330 39 30 0	1	AS2010-19 1) (Pos.1-54,73+74)	
			A3-50Hz	
	42 330 44 30 0	1	AS2010-20 1) (Pos.1-54,73+74)	
	42 330 45 30 0	1	AS2008-20 1) (Pos.1-54,73+74)	
	42 330 46 30 0	1	AS2006-20 1) (Pos.1-54,73+74)	
	42 330 47 30 0	1	AS2005-20 1) (Pos.1-54,73+74)	
	42 330 48 30 0	1	AS2004-20 1) (Pos.1-54,73+74)	



Pos	Teil-Nummer Part-Number	Stück Piece	Beschreibung Description		Benennung	Designation
	42 330 44 30 0	1	A3-60Hz			
	42 330 45 30 0	1	AS2010-24	1) (Pos.1-54,73+74)	Getriebe	Gear
	42 330 46 30 0	1	AS2008-24	1) (Pos.1-54,73+74)		
	42 330 47 30 0	1	AS2006-24	1) (Pos.1-54,73+74)		
	42 330 48 30 0	1	AS2005-24	1) (Pos.1-54,73+74)		
	42 330 49 30 0	1	AS2004-24	1) (Pos.1-54,73+74)		
	42 330 49 30 0	1	A3-50Hz			
	42 330 50 30 0	1	AS2006-25	1) (Pos.1-54,73+74)		
	42 330 51 30 0	1	AS2005-25	1) (Pos.1-54,73+74)		
	42 330 51 30 0	1	AS2004-25	1) (Pos.1-54,73+74)		
	42 330 49 30 0	1	A3-50Hz			
	42 330 50 30 0	1	AS2006-30	1) (Pos.1-54,73+74)		
	42 330 51 30 0	1	AS2005-30	1) (Pos.1-54,73+74)		
	42 330 51 30 0	1	AS2004-30	1) (Pos.1-54,73+74)		
1	42 333 05 01 0	1			Getriebegehäuse	Gear box
2	500 870 0	4	M8x65	DIN 912-8.8	Zyl-Schraube	Socket head cap screw
3	506 459 0	4	8	DIN 7980	Federring	Spring washer
4	504 982 0	4	10x24	DIN 1472	Kerbstift	Dowel pin
5	561 823 0	1	45x68x10/12	AS...NB	Wellendichtring	Shaft seal
6	560 901 0	1	6209-Z	DIN 625	Rillenkugellager	Grooved ball bearing
10	42 333 51 11 0	1	Z=81		Ritzelwelle	Pinion shaft
11	515 937 0	1	38x5		Runddichtring	Round saling ring
15	560 003 0	1	6203	DIN 625	Rillenkugellager	Grooved ball bearing
17	560 107 0	1	6305-2RS	DIN 625	Rillenkugellager	Grooved ball bearing
20	42 333 11 11 0	1	AS20..-10	Z=63/14	Vorgelege	Layshaft gear
	42 333 12 11 0	1	AS20..-12	Z=61/14		
	42 333 14 11 0	1	AS20..-16	Z=57/14		
	42 333 11 11 0	1	A2-60Hz			
	42 333 11 11 0	1	AS20..-12	Z=63/14		
	42 333 12 11 0	1	AS20..-15	Z=61/14		
	42 333 14 11 0	1	AS20..-19	Z=57/14		
	42 333 26 11 0	1	A3-50Hz			
	42 333 27 11 0	1	AS20..-16	Z=59/14		
	42 333 28 11 0	1	AS20..-20	Z=56/14		
	42 333 28 11 0	1	AS20..-25	Z=52/14		
	42 333 26 11 0	1	A3-60Hz			
	42 333 27 11 0	1	AS20..-19	Z059/14		
	42 333 27 11 0	1	AS20..-24	Z=56/14		
	42 333 28 11 0	1	AS20..-30	Z=52/14		
24	560 003 0	1		DIN 625	Rillenkugellager	Grooved ball bearing
25	42 333 00 52 0	1	6203		Distanzscheibe	Spacer ring
26	560 014 0	1		DIN 5412	Zyl-Rollenlager	Roller bearing
27	42 333 01 52 0	1	NJ202EC		Scheibe	Disc
28	500 012 0	3	M4x10	DIN 7991-8.8	Senkschraube	Countersunk screw
30	42 330 24 34 0	1	A2-50Hz			
	42 330 24 34 0	1	AS20..-10	Z=24/71	Ritzelwelle	Pinion shaft
	42 330 25 34 0	1	AS20..-12	Z=15/71		
	42 330 26 34 0	1	AS20..-16	Z=19/71		
	42 330 24 34 0	1	A2-60Hz			
	42 330 24 34 0	1	AS20..-12	Z=24/71		
	42 330 25 34 0	1	AS20..-15	Z=15/71		
	42 330 26 34 0	1	AS20..-19	Z=19/71		
	42 330 21 34 0	1	A3-50Hz			
	42 330 22 34 0	1	AS20..-16	Z=17/70		
	42 330 23 34 0	1	AS20..-20	Z=20/70		
	42 330 23 34 0	1	AS20..-25	Z=24/70		
	42 330 21 34 0	1	A3-60Hz			
	42 330 22 34 0	1	AS20..-19	Z=17/70		
	42 330 23 34 0	1	AS20..-24	Z=20/70		
	42 330 23 34 0	1	AS20..-30	Z=24/70		
31	507 860 0	1	15x21x1	DIN 988	Paßscheibe	Adjusting washer
32	560 014 0	1	NJ202EC	DIN 5412	Zyl-Rollenlager	Roller bearing
33	506 893 0	1	WR15		Sprengtring	Spring washer
35	42 333 01 02 0	1			Getriebedeckel	Box cover
36	42 333 00 95 0	1			Dichtung	Seal



Originalteile  
Original parts  
AS20



Pos	Teil-Nummer Part-Number	Stück Piece	Beschreibung Description		Benennung	Designation	
37	504 960 0	2	8m6x24	DIN 7	Zyl-Stift	Pin	
40	500 146 0	6	M8x40	DIN 912-8.8	Zyl-Schraube	Socket head cap screw	
41	506 459 0	6	8	DIN 7980	Federring	Spring washer	
45	25 333 01 38 0	1			Verschlußschraube	Locking screw	
46	503 912 0	2	AM16x1,5	DIN 7604	Verschlußschraube	Locking screw	
47	503 005 0	1	AM16x1,5	DIN 7604	Verschlußschraube	Locking screw	
48	515 004 0	4	C16x20	DIN 7603	Dichtring	Sealing ring	
50	562 023 0	2	AS2010	0,15 ± 0,05 2)	Tellerfeder	Belleville spring washer	
	562 024 0	2	AS2008	0,15 ± 0,05 2)			
	562 025 0	2	AS2006	0,15 ± 0,05 2)			
	562 026 0	2	AS2005	0,13 ± 0,05 2)			
	562 027 0	2	AS2004	0,13 ± 0,05 2)			
51	42 333 02 50 0	1			Bundbuchse	Bushing	
52	560 013 0	1	51101	DIN 711	Axiallager	Deep grooved thrust bearing	
53	506 844 0	1	S15x21x1,5	DIN 988	Stützscheibe	Supporting ring	
	507 123 0	1	15x21x0,1	DIN 988	Paßscheibe	Adjusting washer	
	507 124 0	1	15x21x0,3	DIN 988			
54	43 333 01 91 0	1			Einstellmutter	Adjusting nut	
55	561 011 0	1	5mm		Kugel	Ball	
56	561 066 0	1	A7x28x5		Wellendichtring	Shaft seal	
57	515 003 0	1	34x1,5		Runddichtring	Round sealing ring	
59	43 333 01 87 0	1			Gewindeflansch	Threaded flange	
60	500 405 0	2	M5x10	DIN 912-8.8	Zyl-Schraube	Socket head cap screw	
62	43 333 00 83 0	1			Lagerbügel	Bearing support	
63	502 003 0	2	M4x6		Senkschraube	Countersunk screw	
65	06 950 0. 14 0	1		3)	Sensor	Sensor	
66	43 333 00 92 0	1			Schnecke	Worm	
67	506 327 0	1	5	DIN 6799	Sicherungscheibe	Locking disc	
70	515 953 0	1	70x2		Runddichtring	Round sealing ring	
71	42 333 00 51 0	1			Zentrierung	Eccentric ring	
73	42 333 01 51 0	1			Scheibe	Disc	
74	42 333 00 50 0	1			Distanzbuchse	Bushing	
75	42 330 02 80 0	1		(Pos.76)	Typenschild	Type plate	
76	507 831 0	4	3x5		Blindniet	Blind rivet	
	32 250 07 65 0			4)	1000ml	Getriebeöl	Gear oil

1) Ohne Getriebeöl

2) Vorspannung

x) Nach Bedarf

3) Siehe Typenschild

4) Getriebeöl: erforderliche Menge siehe Betriebsanleitung

1) Without gear oil

2) Initial stress

x)As required

3) See rating plate

4) Quantity of gear oil necessary: see Operating Instructions