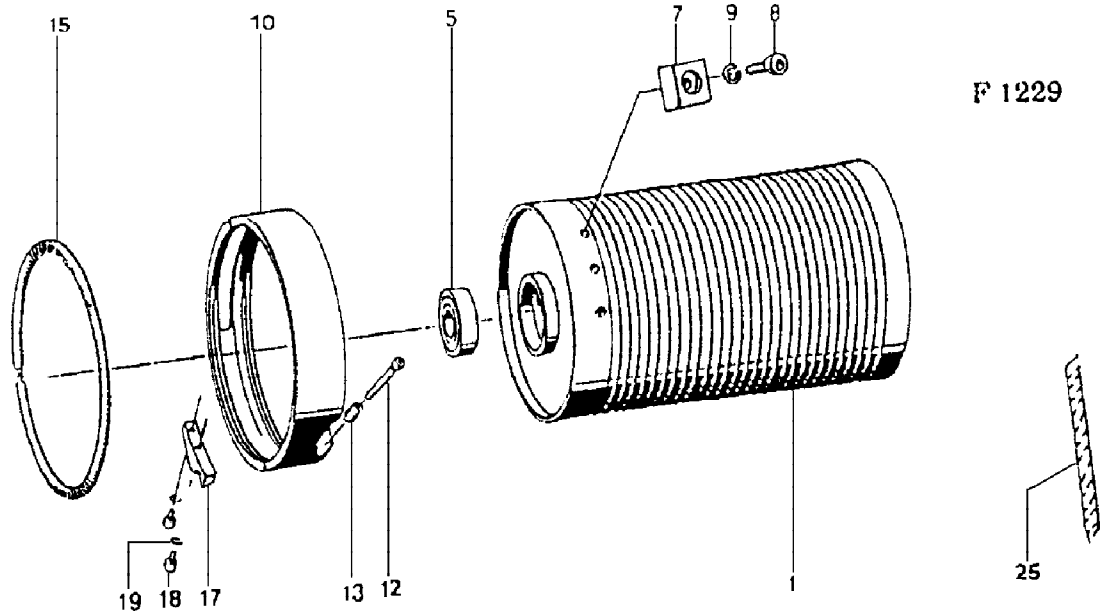




Originalteile  
Original parts  
AS30



F 1229

Pos	Teil-Nummer Part-Number	Stück Piece	Beschreibung Description	Benennung Designation	Designation
1	43 330 12 40 0	1	L2 D10mm	1) /1	Seiltrommel Rope drum
	43 330 13 40 0	1	L3 D10mm	1) /1	
1	43 330 17 40 0	1	L2 D7-7,5mm	1) /2-	Seiltrommel Rope drum
	43 330 18 40 0	1	L3 D7-7,5mm	1) /2-	
5	560 107 0	1	6305-2RS	DIN 625	Rillenkugellager Grooved ball bearing
7	43 330 00 46 0	6	D7-8mm	(Pos.8+9)	Klemmplatte Clamping plate
	43 330 01 46 0	3	D9-10mm	(Pos.8+9)	
8	500 148 0	6	M10x25	D7,5mm DIN 912-8.8	Zyl-Schraube Socket head cap screw
	500 850 0	3	M12x25	D10mm DIN 6912-8.8	
9	506 904 0	6	10	D7,5mm DIN 7980	Federring Spring washer
	506 905 0	3	12	D10mm DIn 7980	
10	43 330 01 43 0	1	D7-7,5mm	2) (Pos.12-17)	Seilführungsring Rope guide
	43 330 00 43 0	1	D10mm	2) (Pos.12-17)	
	43 330 02 43 0	1	D7-7,5mm	3) (Pos.12-17)	
	43 330 05 43 0	1	D10mm	3) (Pos.12-17)	
12	21 334 00 90 0	2			Schraube Screw
13	22 334 01 94 0	2			Druckfeder Pressure spring
15	43 334 00 94 0	1			Zugfeder Tension spring
17	43 330 50 48 0	1		(Pos.18+19)	Anschlag Stop
18	500 231 0	2	M6x20	DIN 912-8.8	Zyl-Schraube Socket head cap screw
19	506 335 0	2	6	DIN 7980	Federring Spring washer
25				4)	Drahtseil Rope

- 1) Pos.5 immer mitbestellen  
2) Seilführung Linksgewinde  
3) Seilführung Rechtsgewinde  
4) Siehe Datenblatt

- 1) Always include item 5 in order  
2) Rope guide left thread  
3) Rope guide right thread  
4) See data sheet