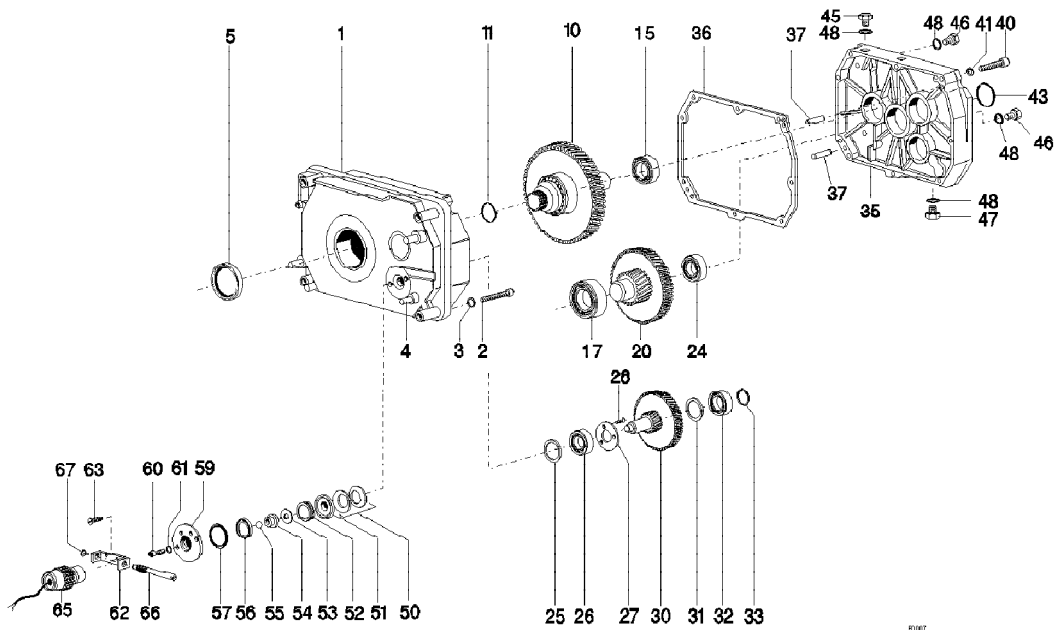




Originalteile
Original parts
AS4.

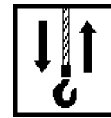


AS40

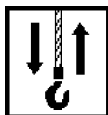


81067

| Pos | Teil-Nummer Part-Number | Stück Piece | Beschreibung Description | Benennung Designation |
|-----|----------------------------|----------------|------------------------------------|--------------------------|
| | 44 330 21 30 0 | 1 | A4-50Hz AS4025-10 1) (Pos.1-54) | Getriebe Gear |
| | 44 330 22 30 0 | 1 | AS4020-10 1) (Pos.1-54) | |
| | 44 330 23 30 0 | 1 | AS4016-10 1) (Pos.1-54) | |
| | 44 330 24 30 0 | 1 | AS4012-10 1) (Pos.1-54) | |
| | 44 330 25 30 0 | 1 | AS4010-10 1) (Pos.1-54) | |
| | 44 330 21 30 0 | 1 | A4-60Hz AS4025-12 1) (Pos.1-54) | |
| | 44 330 22 30 0 | 1 | AS4020-12 1) (Pos.1-54) | |
| | 44 330 23 30 0 | 1 | AS4016-12 1) (Pos.1-54) | |
| | 44 330 24 30 0 | 1 | AS4012-12 1) (Pos.1-54) | |
| | 44 330 25 30 0 | 1 | AS4010-12 1) (Pos.1-54) | |
| | 44 330 26 30 0 | 1 | A4-50Hz AS4020-12 1) (Pos.1-54) | |
| | 44 330 27 30 0 | 1 | AS4016-12 1) (Pos.1-54) | |
| | 44 330 28 30 0 | 1 | AS4012-12 1) (Pos.1-54) | |
| | 44 330 29 30 0 | 1 | AS4010-12 1) (Pos.1-54) | |
| | 44 330 26 30 0 | 1 | A4-60Hz AS4020-15 1) (Pos.1-54) | |
| | 44 330 27 30 0 | 1 | AS4016-15 1) (Pos.1-54) | |
| | 44 330 28 30 0 | 1 | AS4012-15 1) (Pos.1-54) | |
| | 44 330 29 30 0 | 1 | AS4010-15 1) (Pos.1-54) | |
| | 44 330 32 30 0 | 1 | A4-50Hz AS4020-16 1) (Pos.1-54) | |
| | 44 330 33 30 0 | 1 | AS4016-16 1) (Pos.1-54) | |
| | 44 330 34 30 0 | 1 | AS4012-16 1) (Pos.1-54) | |
| | 44 330 32 30 0 | 1 | A4-60Hz AS4020-19 1) (Pos.1-54) | |
| | 44 330 33 30 0 | 1 | AS4016-19 1) (Pos.1-54) | |
| | 44 330 34 30 0 | 1 | AS4012-19 1) (Pos.1-54) | |
| | 44 330 30 30 0 | 1 | A5-50Hz AS4025-16 1) (Pos.1-54) | |
| | 44 330 31 30 0 | 1 | AS4020-16 1) (Pos.1-54) | |
| | 44 330 30 30 0 | 1 | A5-60Hz AS4025-19 1) (Pos.1-54) | |
| | 44 330 31 30 0 | 1 | AS4020-19 1) (Pos.1-54) | |
| | 44 330 35 30 0 | 1 | A5-50Hz AS4020-20 1) (Pos.1-54) | |
| | 44 330 36 30 0 | 1 | AS4016-20 1) (Pos.1-54) | |
| | 44 330 37 30 0 | 1 | AS4012-20 1) (Pos.1-54) | |
| | 44 330 38 30 0 | 1 | AS4010-20 1) (Pos.1-54) | |
| | 44 330 35 30 0 | 1 | A5-60Hz AS4020-24 1) (Pos.1-54) | |
| | 44 330 36 30 0 | 1 | AS4016-24 1) (Pos.1-54) | |
| | 44 330 37 30 0 | 1 | AS4012-24 1) (Pos.1-54) | |
| | 44 330 38 30 0 | 1 | AS4010-24 1) (Pos.1-54) | |



| Pos | Teil-Nummer Part-Number | Stück Piece | Beschreibung Description | | Benennung | Designation |
|-----|----------------------------|----------------|-----------------------------|--------------|-------------------|------------------------|
| | 44 330 39 30 0 | 1 | A5-50Hz | | Getriebe | Gear |
| | 44 330 40 30 0 | 1 | AS4016-25 | | | |
| | 44 330 41 30 0 | 1 | AS4012-25 | | | |
| | 44 330 39 30 0 | 1 | A5-60Hz | | Getriebegehäuse | Gear box |
| | 44 330 40 30 0 | 1 | AS4016-30 | | | |
| | 44 330 41 30 0 | 1 | AS4012-30 | | | |
| 1 | 44 333 06 01 0 | 1 | | | Zyl-Schraube | Socket head cap screw |
| 2 | 500 909 0 | 5 | M10x100 | DIN 912-8.8 | Federring | Spring washer |
| 3 | 506 904 0 | 5 | 10 | DIN 7980 | Kerbstift | Dowel pin |
| 4 | 504 972 0 | 5 | 12x30 | DIN 1472 | Wellendichtring | Shaft seal |
| 5 | 561 813 0 | 1 | 80x100x10 | AS...NB | Antriebswelle | Drive shaft |
| 10 | 44 330 00 34 0 | 1 | Z=82 | | Runddichtring | Round sealing ring |
| 11 | 515 902 0 | 1 | 65x4 | 37PAB-769 | Rillenkugellager | Grooved ball bearing |
| 15 | 560 069 0 | 1 | 6207-C3 | DIN 625 | Zyl-Rollenlager | Roller bearing |
| 17 | 560 824 0 | 1 | NJ206EC | DIN5412 | | |
| | | | A4-50Hz | | Ritzelwelle | Pinion |
| 20 | 44 330 30 34 0 | 1 | AS40..-10 | Z=75/14 | | |
| | 44 330 31 34 0 | 1 | AS40..-12 | Z=73/14 | | |
| | 44 330 32 34 0 | 1 | AS40..-16 | Z=70/14 | | |
| | | | A4-60Hz | | | |
| | 44 330 30 34 0 | 1 | AS40..-12 | Z=75/14 | | |
| | 44 330 31 34 0 | 1 | AS40..-15 | Z=73/14 | | |
| | 44 330 32 34 0 | 1 | AS40..-19 | Z=70/14 | | |
| | | | A5-50Hz | | | |
| | 44 330 31 34 0 | 1 | AS40..-16 | Z=73/14 | | |
| | 44 330 32 34 0 | 1 | AS40..-20 | Z=70/14 | | |
| | 44 330 33 34 0 | 1 | AS40..-25 | Z=67/14 | | |
| | | | A5-60Hz | | | |
| | 44 330 31 34 0 | 1 | AS40..-19 | Z=73/14 | | |
| | 44 330 32 34 0 | 1 | AS40..-24 | Z=70/14 | | |
| | 44 330 33 34 0 | 1 | AS40..-30 | Z=67/14 | | |
| 24 | 560 132 0 | 1 | 30 206 A | DIN 720 | Kegelrollenlager | Tapered roller bearing |
| 25 | 44 333 00 52 0 | 1 | | | Distanzscheibe | Spacer ring |
| 26 | 560 016 0 | 1 | NJ304EC | DIN 5412 | Zyl-Rollenlager | Roller bearing |
| 27 | 44 333 01 52 0 | 1 | | | Scheibe | Disc |
| 28 | 500 305 0 | 3 | | DIN 7991-8.8 | Senkschraube | Countersunk screw |
| | | | A4-50Hz | | Vorgelege | Layshaft gear |
| 30 | 44 330 12 36 0 | 1 | AS40..-10 | Z=96/13 | | |
| | 44 330 13 36 0 | 1 | AS40..-12 | Z=96/15 | | |
| | 44 330 14 36 0 | 1 | AS40..-16 | Z=96/18 | | |
| | | | A4-60Hz | | | |
| | 44 330 12 36 0 | 1 | AS40..-12 | Z=96/13 | | |
| | 44 330 13 36 0 | 1 | AS40..-15 | Z=96/15 | | |
| | 44 330 14 36 0 | 1 | AS40..-19 | Z=96/18 | | |
| | | | A5-50Hz | | | |
| | 44 330 15 36 0 | 1 | AS40..-16 | Z=79/15 | | |
| | 44 330 16 36 0 | 1 | AS40..-20 | Z=79/18 | | |
| | 44 330 17 36 0 | 1 | AS40..-25 | Z=79/21 | | |
| | | | A5-60Hz | | | |
| | 44 330 15 36 0 | 1 | AS40..-19 | Z=79/15 | | |
| | 44 330 16 36 0 | 1 | AS40..-24 | Z=79/18 | | |
| | 44 330 17 36 0 | 1 | AS40..-30 | Z=79/21 | | |
| 31 | 507 887 0 | 1 | 20x28x1 | DIN 988 | Paßscheibe | Adjusting washer |
| 32 | 560 016 0 | 1 | NJ304EC | DIN 5412 | Zyl-Rollenlager | Roller bearing |
| 33 | 507 122 0 | 1 | SW20 | | Sprengring | Spring ring |
| 35 | 44 333 01 02 0 | 1 | | | Getriebedeckel | Gear cap |
| 36 | 44 333 00 95 0 | 1 | | | Dichtung | Seal |
| 37 | 504 035 0 | 2 | 10m6x28 | DIN 7 | Zyl-Stift | Pin |
| 40 | 500 146 0 | 8 | M8x40 | DIN 912-8.8 | Zyl-Schraube | Socket head cap screw |
| 41 | 506 459 0 | 8 | 8 | DIN 7980 | Federring | Spring washer |
| 43 | 515 958 0 | 1 | 78x2 | NB70 | Runddichtring | Round sealing ring |
| 45 | 25 333 01 38 0 | 1 | | | Verschlußschraube | Screw plug |
| 46 | 503 912 0 | 2 | AM16x1,5 | DIN 7904 | Verschlußschraube | Screw plug |
| 47 | 503 005 0 | 1 | AM16x1,5 | DIN 7904 | Verschlußschraube | Screw plug |
| 48 | 515 004 0 | 4 | C16x20 | DIN 7603CuAs | Dichtring | Sealing ring |



Originalteile
Original parts
AS4.



| Pos | Teil-Nummer Part-Number | Stück Piece | Beschreibung Description | Benennung Designation |
|-----|----------------------------|----------------|-----------------------------|---|
| 50 | 562 033 0 | 2 | AS4025 0,15±0,05 2) | Tellerfeder Belleville spring washer |
| | 562 034 0 | 2 | AS4020 0,17±0,05 2) | |
| | 562 035 0 | 2 | AS4016 0,21±0,05 2) | |
| | 562 035 0 | 2 | AS4012 0,15±0,05 2) | |
| | 562 036 0 | 2 | AS4010 0,19±0,05 2) | |
| 51 | 44 333 00 50 0 | 1 | | Bundbuchse Bushing |
| 52 | 560 013 0 | 1 | 51101 DIN 711 | Axial-Rillenkugellager Deep grooved thrust bearing |
| 53 | 506 844 0 | 1 | S15x21x1,5 DIN 988 | Stützscheibe Supporting ring |
| | 507 123 0 | 1 | 15x21x0,1 x) DIN 988 | Paßscheibe Adjusting washer |
| | 507 124 0 | 1 | 15x21x0,3 x) DIN 988 | |
| 54 | 43 333 01 91 0 | 1 | | Einstellmutter Adjusting nut |
| 55 | 561 011 0 | 1 | 5mm | Kugel Ball |
| 56 | 561 660 0 | 1 | A17x28x5 DIN 3760 | Wellendichtring Shaft seal |
| 57 | 515 003 0 | 1 | 34x1,5 NB70 | Runddichtring Round sealing ring |
| 59 | 43 333 01 87 0 | 1 | | Gewindeflansch Threaded bushing |
| 60 | 500 405 0 | 2 | M5x10 DIN 912-8.8 | Zyl-Schraube Socket head cap screw |
| 61 | 507 051 0 | 2 | S5 | Sicherungsscheibe Locking disc |
| 62 | 43 333 00 83 0 | 1 | | Lagerbügel Bearing support |
| 63 | 502 003 0 | 2 | M4x6 DIN 963 | Senkschraube Countersunk screw |
| 65 | 06 950 0. 14 0 | 1 | | Sensor 3) Sensor |
| 66 | 43 333 00 92 0 | 1 | | Schnecke Worm |
| 67 | 506 327 0 | 1 | 5 DIN 6799 | Sicherungsscheibe Locking disc |
| | 32 250 07 65 0 | | 4) 1000ml | Getriebeöl Gear oil |

1) Ohne Getriebeöl

2) Vorspannung

x) Nach Bedarf

3) Siehe Typenschild

4) Getriebeöl: erforderliche Menge siehe Betriebsanleitung

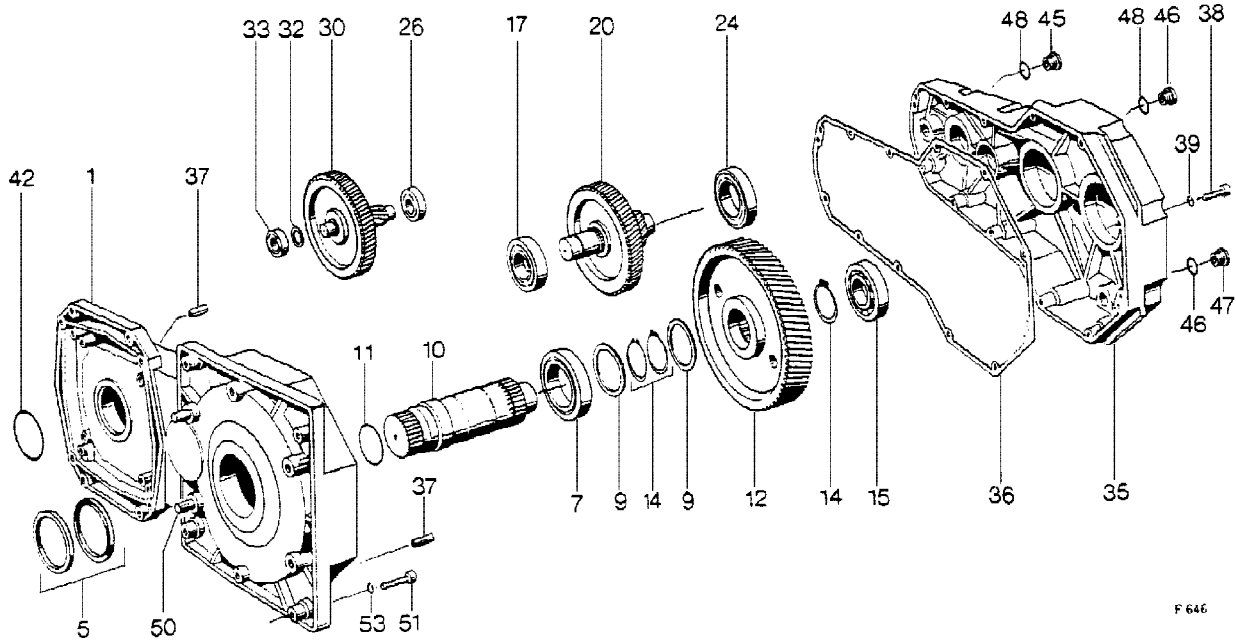
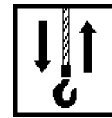
1) Without gear oil

2) Initial stress

x)As required

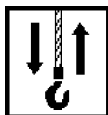
3) See rating plate

4) Quantity of gear oil necessary: see Operating Instructions



F 646

| Pos | Teil-Nummer Part-Number | Stück Piece | Beschreibung Description | Benennung Designation | | |
|-----|----------------------------|----------------|-----------------------------|--------------------------|--|--|
| | 44 330 00 31 0 | 1 | A4-50Hz AS41..-10 | 1) (Pos.1-53) | Getriebe Gear | |
| | 44 330 01 31 0 | 1 | AS41..-12 | 1) (Pos.1-53) | | |
| | 44 330 02 31 0 | 1 | AS41..-16 | 1) (Pos.1-53) | | |
| | 44 330 00 31 0 | 1 | A4-60Hz AS41..-12 | 1) (Pos.1-53) | | |
| | 44 330 01 31 0 | 1 | AS41..-15 | 1) (Pos.1-53) | | |
| | 44 330 02 31 0 | 1 | AS41..-19 | 1) (Pos.1-53) | | |
| | 44 330 03 31 0 | 1 | A5-50Hz AS41..-16 | 1) (Pos.1-53) | | |
| | 44 330 04 31 0 | 1 | AS41..-20 | 1) (Pos.1-53) | | |
| | 44 330 05 31 0 | 1 | AS41..-25 | 1) (Pos.1-53) | | |
| | 44 330 03 31 0 | 1 | A5-60Hz AS41..-19 | 1) (Pos.1-53) | | |
| | 44 330 04 31 0 | 1 | AS41..-24 | 1) (Pos.1-53) | | |
| | 44 330 05 31 0 | 1 | AS41..-30 | 1) (Pos.1-53) | | |
| 1 | 44 333 02 01 0 | 1 | | | | Getriebegehäuse Gear box |
| 5 | 561 813 0 | 2 | AS 80x100x10 | DIN 3760 | | Wellendichtring Shaft seal |
| 7 | 560 920 0 | 1 | 6215 | DIN 625 | | Rillenkugellager Grooved ball bearing |
| 9 | 506 830 0 | 2 | S75x95x3,5 | DIN 988 | Stützscheibe Supporting ring | |
| 10 | 44 333 02 14 0 | 1 | | | Antriebswelle Drive shaft | |
| 11 | 515 902 0 | 1 | 65x4 | NB70 | Runddichtring Round sealing ring | |
| 12 | 44 333 01 11 0 | 1 | Z=75 | | Zahnrad Gear wheel | |
| 14 | 506 877 0 | 3 | 75x2,5 | DIN 471 | Sicherungsring Locking ring | |
| 15 | 560 135 0 | 1 | NJ 207 E | DIN 5412 | Zyl-Rollenlager Roller bearing | |
| 17 | 560 010 0 | 1 | 6306-2RS | DIN 625 | Rillenkugellager Grooved ball bearing | |
| 20 | 44 330 30 34 0 | 1 | A4-50Hz AS41..-10 | Z=75/14 | Zwischengelege Auxiliary gear | |
| | 44 330 31 34 0 | 1 | AS41..-12 | Z=73/14 | | |
| | 44 330 32 34 0 | 1 | AS41..-16 | Z=70/14 | | |
| | 44 330 30 34 0 | 1 | A4-60Hz AS41..-12 | Z=75/14 | | |
| | 44 330 31 34 0 | 1 | AS41..-15 | Z=73/14 | | |
| | 44 330 32 34 0 | 1 | AS41..-19 | Z=70/14 | | |
| | 44 330 31 34 0 | 1 | A5-50Hz AS41..-16 | Z=73/14 | | |
| | 44 330 32 34 0 | 1 | AS41..-20 | Z=70/14 | | |
| | 44 330 33 34 0 | 1 | AS41..-25 | Z=67/14 | | |
| | 44 330 31 34 0 | 1 | A5-60Hz AS41..-19 | Z=73/14 | | |
| | 44 330 32 34 0 | 1 | AS41..-24 | Z=70/14 | | |
| | 44 330 33 34 0 | 1 | AS41..-30 | Z=67/14 | | |



Originalteile
Original parts
AS4.



| Pos | Teil-Nummer Part-Number | Stück Piece | Beschreibung Description | Benennung Designation |
|-----|----------------------------|----------------|---------------------------------|--|
| 24 | 560 136 0 | 1 | 303 06A DIN 720 | Kegelrollenlager Tapered roller bearing |
| 26 | 560 130 0 | 1 | 302 04A DIN 720 | Kegelrollenlager Tapered roller bearing |
| 30 | 44 330 06 36 0 | 1 | AS41..-10 Z=96/13 | Vorgelege Lay shaft gear |
| | 44 330 07 36 0 | 1 | AS41..-12 Z=96/15 | |
| | 44 330 08 36 0 | 1 | AS41..-16 Z=96/18 | |
| | 44 330 06 36 0 | 1 | A4-60Hz AS41..-12 Z=96/13 | |
| | 44 330 07 36 0 | 1 | AS41..-15 Z=96/15 | |
| | 44 330 08 36 0 | 1 | AS41..-19 Z=96/18 | |
| | 44 330 09 36 0 | 1 | A5-50Hz AS41..-16 Z=79/15 | |
| | 44 330 10 36 0 | 1 | AS41..-20 Z=79/18 | |
| | 44 330 11 36 0 | 1 | AS41..-25 Z=79/21 | |
| | 44 330 09 36 0 | 1 | A5-60Hz AS41..-19 Z=79/15 | |
| | 44 330 10 36 0 | 1 | AS41..-24 Z=79/18 | |
| | 44 330 11 36 0 | 1 | AS41..-30 Z=79/21 | |
| 32 | 04 321 10 52 0 | 1 | 33/20,2/2 | Scheibe Disc |
| 33 | 560 812 0 | 1 | NJ204 EC DIN 5412 | Zyl-Rollenlager Roller bearing |
| 35 | 44 333 02 02 0 | 1 | | Getriebedeckel Gear cap |
| 36 | 44 333 01 95 0 | 1 | | Dichtung Seal |
| 37 | 504 035 0 | 2 | 10m6x28 DIN 7 | Zyl-Stift Dowel pin |
| 38 | 500 235 0 | 10 | M8x32 DIN 912-8.8 | Zyl-Schraube Socket head cap screw |
| 39 | 506 459 0 | 10 | 8 DIN 7980 | Federring Spring washer |
| 42 | 515 958 0 | 1 | 78x2 NB70 | Runddichtring Round sealing ring |
| 45 | 45 333 00 38 0 | 1 | | Verschlussschraube Screw plug |
| 46 | 503 948 0 | 4 | AM22x1,5 DIN 7604 | Verschlussschraube Screw plug |
| 47 | 503 006 0 | 1 | AM22x1,5 DIN 7604 | Verschlussschraube Screw plug |
| 48 | 515 963 0 | 6 | C22x27 DIN 7603 | Dichtring Sealing ring |
| 50 | 504 972 0 | 6 | 12x30 DIN 1472 | Kerbstift Grooved dowel pin |
| 51 | 500 149 0 | 4 | M10x40 DIN 912-8.8 | Zyl-Schraube Socket head cap screw |
| 52 | 506 904 0 | 4 | 10 DIN 7980 | Federring Spring washer |
| | 32 250 07 65 0 | | 2) 1000ml | Getriebeöl Gear oil |

1) Ohne Getriebeöl

2) Getriebeöl: erforderliche Menge siehe Betriebsanleitung

1) Without gear oil

2) Quantity of gear oil necessary: see Operating Instructions