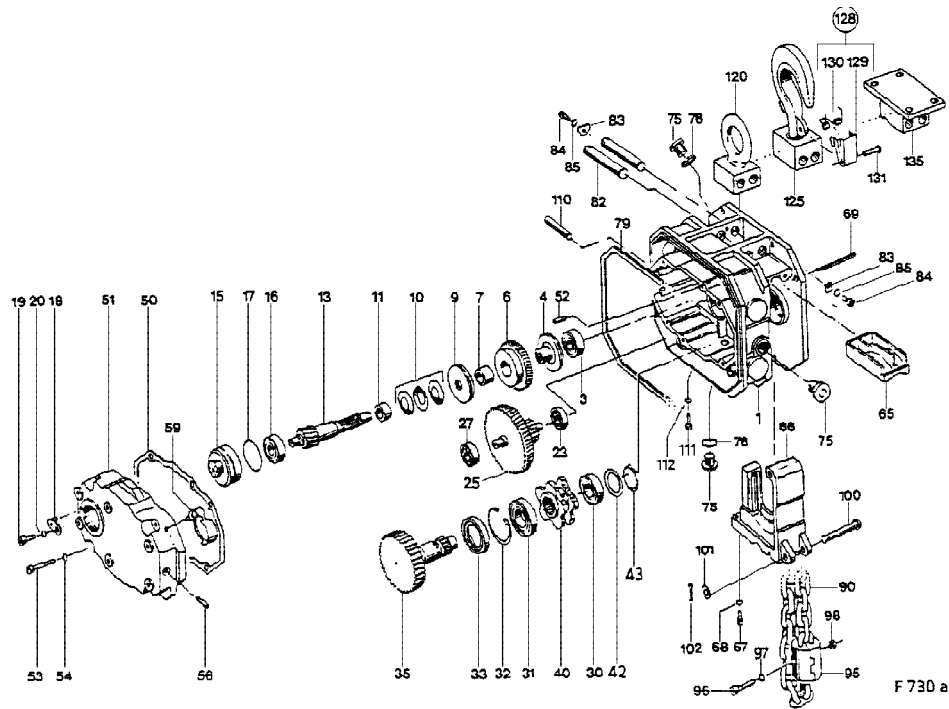


Originalteile
Original parts
T 4, TD 4

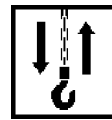


F 730 a

| Pos | Teil-Nummer Part-Number | Stück Piece | Beschreibung Description | | Benennung | Designation |
|-----|----------------------------|----------------|-----------------------------|---------------------|------------------------|--------------------------|
| | 34 320 08 30 0 | 1 | A08-50 Hz T405 - 10 | *1 a) (Pos.1-79) | Getriebe | Gear |
| | 34 320 08 30 0 | 1 | A08-60 Hz T405 - 12 | *1 a) (Pos.1-79) | | |
| | 34 320 09 30 0 | 1 | A1-50 Hz T405 - 16 | *1 a) (Pos.1-79) | | |
| | 34 320 09 30 0 | 1 | A1-60 Hz T405 - 20 | *1 a) (Pos.1-79) | | |
| 1 | 34 323 01 01 0 | 1 | | a) | Getriebegehäuse | Gear box |
| 3 | 560 104 0 | 1 | 7302 B | | Schrägkugellager | Angular ball bearing |
| 4 | 34 320 01 32 0 | 1 | | 1) | Rutschkupplungsnahe | Sliding clutch |
| 6 | 34 320 01 36 0 | 1 | Z=60 | 2) T405 A08 (Pos.7) | Zahnrad | Gear wheel |
| | 34 320 02 36 0 | 1 | Z=60 | 3) T405 A08 (Pos.7) | | |
| | 34 320 03 36 0 | 1 | Z=61 | 4) T405 A08 (Pos.7) | | |
| | 34 320 04 36 0 | 1 | Z=58 | 2) T405 A1 (Pos.7) | | |
| | 34 320 05 36 0 | 1 | Z=58 | 3) T405 A1 (Pos.7) | | |
| | 34 320 06 36 0 | 1 | Z=60 | 4) T405 A1 (Pos.7) | | |
| 7 | 561 981 0 | 1 | 25/28x15 | | DU-Buchse | Bushing |
| 9 | 34 320 00 32 0 | 1 | | 1) | Rutschkupplungsscheibe | Sliding clutch |
| 10 | 562 940 0 | 3 | 50x18,3x3,85x2,5 | | Tellerfeder | Belleville spring washer |
| 11 | 34 323 00 52 0 | 1 | 25/18/13 | | Abstandshülse | Spacer ring |
| 13 | 34 323 02 15 0 | 1 | Z=19 | T405 A08 | Ritzelwelle | Pinion shaft |
| | 34 323 05 15 0 | 1 | Z=24 | T405 A1 | | |
| 15 | 34 323 00 50 0 | 1 | | | Verstellbuchse | Adjusting bush |
| 16 | 560 104 0 | 1 | 7302 B | DIN 628 | Schrägkugellager | Angular ball bearing |
| 17 | 515 978 0 | 1 | 50x3 | | Runddichtring | Rund sealing ring |
| 18 | 33 323 00 89 0 | 1 | | | Sicherungsblech | Locking plate |
| 19 | 500 230 0 | 1 | M6x12 | DIN 912-8.8 | Zyl-Schraube | Socket head cap screw |
| 20 | 506 335 0 | 1 | 6 | DIN 7980 | Federring | Spring washer |
| 23 | 560 003 0 | 1 | 6203 | DIN 625 | Rillenkugellager | Grooved ball bearing |
| 25 | 34 323 09 11 0 | 1 | Z=82 | T405 A08 | Vorgelege | Reduction gear |
| | 34 323 16 11 0 | 1 | Z=77 | T405 A1 | | |
| 27 | 560 101 0 | 1 | 6003-2Z | DIN 625 | Rillenkugellager | Grooved ball bearing |
| 30 | 560 073 0 | 1 | 6205-2RS | DIN 625 | Rillenkugellager | Grooved ball bearing |
| 31 | 560 866 0 | 1 | 6206-2RS | DIN 625 | Rillenkugellager | Grooved ball bearing |
| 32 | 506 108 0 | 1 | 62x2 | DIN 472 | Sicherungsring | Locking ring |
| 33 | 561 865 0 | 1 | A38x62x7 | | Wellendichtring | Shaft seal |
| 35 | 34 323 14 11 0 | 1 | Z=40 | | Ritzelwelle | Pinion shaft |
| 40 | 34 324 00 16 0 | 1 | | a) | Kettenuß | Sprocket wheel |
| 42 | 507 024 0 | 1 | S25x35x2 | DIN 988 | Stützscheibe | Supporting ring |
| 43 | 506 097 0 | 1 | 25x1,2 | DIN 471 | Sicherungsring | Locking ring |

a) TD-Teile siehe Seite 11

a) TD parts see page 11



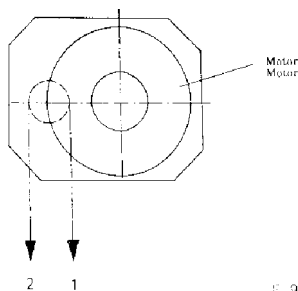
| Pos | Teil-Nummer Part-Number | Stück Piece | Beschreibung Description | Benennung Designation | Designation |
|-----|----------------------------|----------------|-----------------------------|--------------------------|----------------------------|
| 50 | 34 323 00 95 0 | 1 | | Dichtung | Seal |
| 51 | 34 323 04 02 0 | 1 | | Getriebedeckel | Gear cap |
| 52 | 504 120 0 | 2 | 6m6x18 | Zyl-Stift | Pin |
| 53 | 500 969 0 | 6 | M6x35 | Zyl-Schraube | Socket head cap screw |
| 54 | 506 335 0 | 6 | 6 | Federring | Spring washer |
| 56 | 503 966 0 | 2 | M5x16 | Gewindestift | Threaded |
| 59 | 33 323 00 97 0 | 1 | | Entlüftungsstopfen | Drain plug |
| 65 | 34 324 00 32 0 | 1 | a) | Einlege-teile | Insert part |
| 66 | 34 324 00 30 0 | 1 | a) | Kettenführung | Chain guide |
| 67 | 500 841 0 | 2 | M8x20 | Zyl-Schraube | Socket head cap screw |
| 68 | 506 459 0 | 2 | 8 | Federring | Spring washer |
| 69 | 504 248 0 | 1 | 10x80 | Spannstift | Spring dowel sleeve |
| 75 | 503 954 0 | 3 | M16x1,5 | Verschlußschraube | Screw plug |
| 76 | 515 004 0 | 3 | C16 | Dichtring | Sealing ring |
| 79 | 34 329 01 95 0 | 1 | | Dichtung | Seal |
| 82 | 34 322 02 92 0 | 2 | | Aufhängebolzen | Suspension bolt |
| 83 | 34 322 01 89 0 | 2 | | Sicherungsblech | Locking plate |
| 84 | 500 233 0 | 2 | M6x16 | Zyl-Schraube | Socket head cap screw |
| 85 | 506 411 0 | 2 | A6,4 | Zahnscheibe | External teeth lock washer |
| 90 | 331 001 9 | | 7x21,9 | | Chain |
| 95 | 33 320 02 27 0 | 1 | 5) a) | Lastkette | Chain stop |
| 96 | 500 232 0 | 2 | M6x25 | Kettenanschlag | Chain stop |
| 97 | 506 335 0 | 2 | 6 | Zyl-Schraube | Socket head cap screw |
| 98 | 506 281 0 | 2 | M6 | Federring | Spring washer |
| 100 | 33 322 01 92 0 | 1 | | Skt-Mutter | Hexagonal nut |
| 101 | 506 021 0 | 1 | B8,4 | Bolzen | Bolt |
| 102 | 504 042 0 | 1 | 2x16 | Scheibe | Disc |
| 110 | 35 324 00 92 0 | 1 | | Splint | Cotter pin |
| 111 | 500 843 0 | 1 | M8x12 | Bolzen | Bolt |
| 112 | 506 459 0 | 1 | 8 | Zyl-Schraube | Socket head cap screw |
| | | | | Federring | Spring washer |
| 120 | 34 322 00 58 0 | 1 | | Aufhängung | Suspension |
| 125 | 34 320 07 28 0 | 1 | | Aufhängehaken | Suspension hook |
| 128 | 34 320 01 57 0 | 1 | | Lasthakensicherung | Safety catch |
| 129 | 34 322 02 89 0 | 1 | | Sicherungsklappe | Safety loop |
| 130 | 562 972 0 | 1 | | Dehfeder | Torsion spring |
| 131 | 00 325 03 16 0 | 1 | | Nietstift | Rivet pin |
| 135 | 32 240 01 27 0 | 1 | | Aufhängung | Suspension |
| | 32 250 06 65 0 | | 6) | Getriebeöl | Gear oil |

*1 Bitte angeben:Vorgelegrad linksschräg:rechtsschräg:geradverzahnt

- 1) Nur Paarweise ersetzen
- 2) Ausführung rechtsschräg
- 3) Ausführung linksschräg
- 4) Ausführung geradverzahnt
- 5) Bitte Länge angeben
- 6) Getriebeöl:erforderliche Menge siehe Betriebsanleitung

*1 Please state:layshaft gear left-handed:right-handed:spur-toothed

- 1) Replace as a pair
- 2) Right-hand design
- 3) Left-hand design
- 4) Spur-toothed design
- 5) Please state length
- 6) Quantity of gear oil necessary:see operating instructions



- | | |
|------------------|-------------------|
| I) Rotor | I) Rotor |
| II) Vorgelegrad | II) Layshaft gear |
| 1) linksschräg | 1) Left-hand |
| 2) rechtsschräg | 2) Right-hand |
| 3) geradverzahnt | 3) Spur-toothed |

Kettenabgang
Chain departure

Bauteile
Components

Verzahnung
Gearing

- 1
- 2
- 1+2

- I)
- II)
- I)
- II)
- I)
- II)

- 1)
- 2)
- 2)
- 1)
- 3)
- 3)